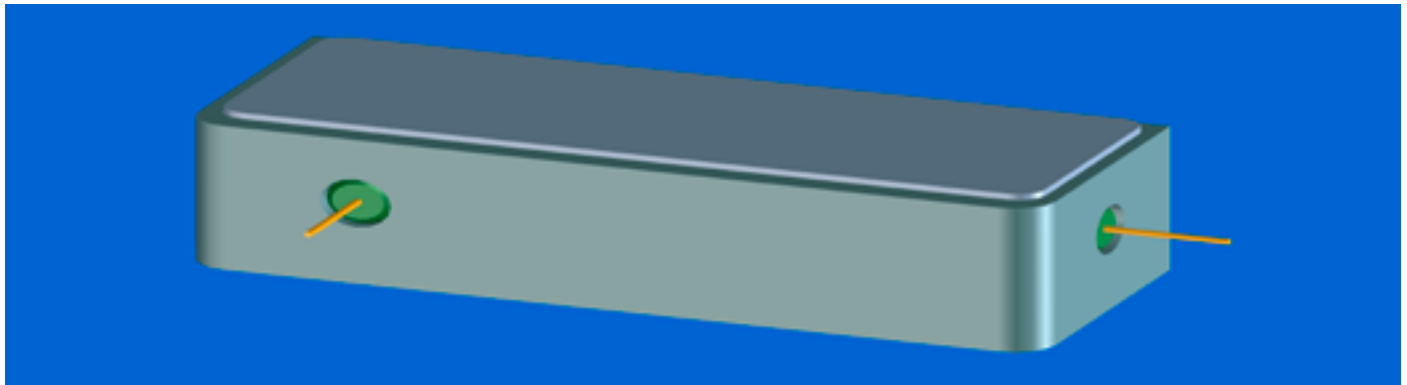


MALI-010303-000000

Passive S-Band Non-Reflective Drop-in Limiter



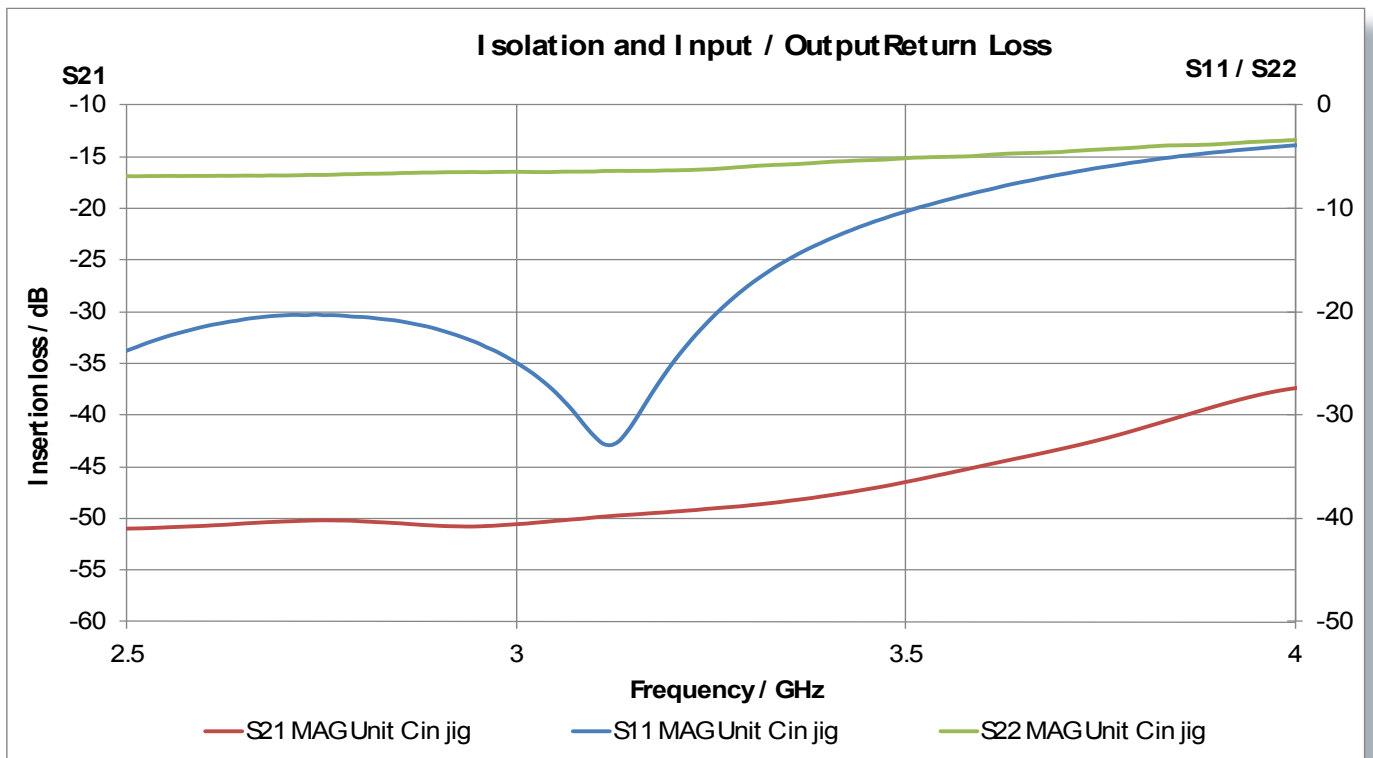
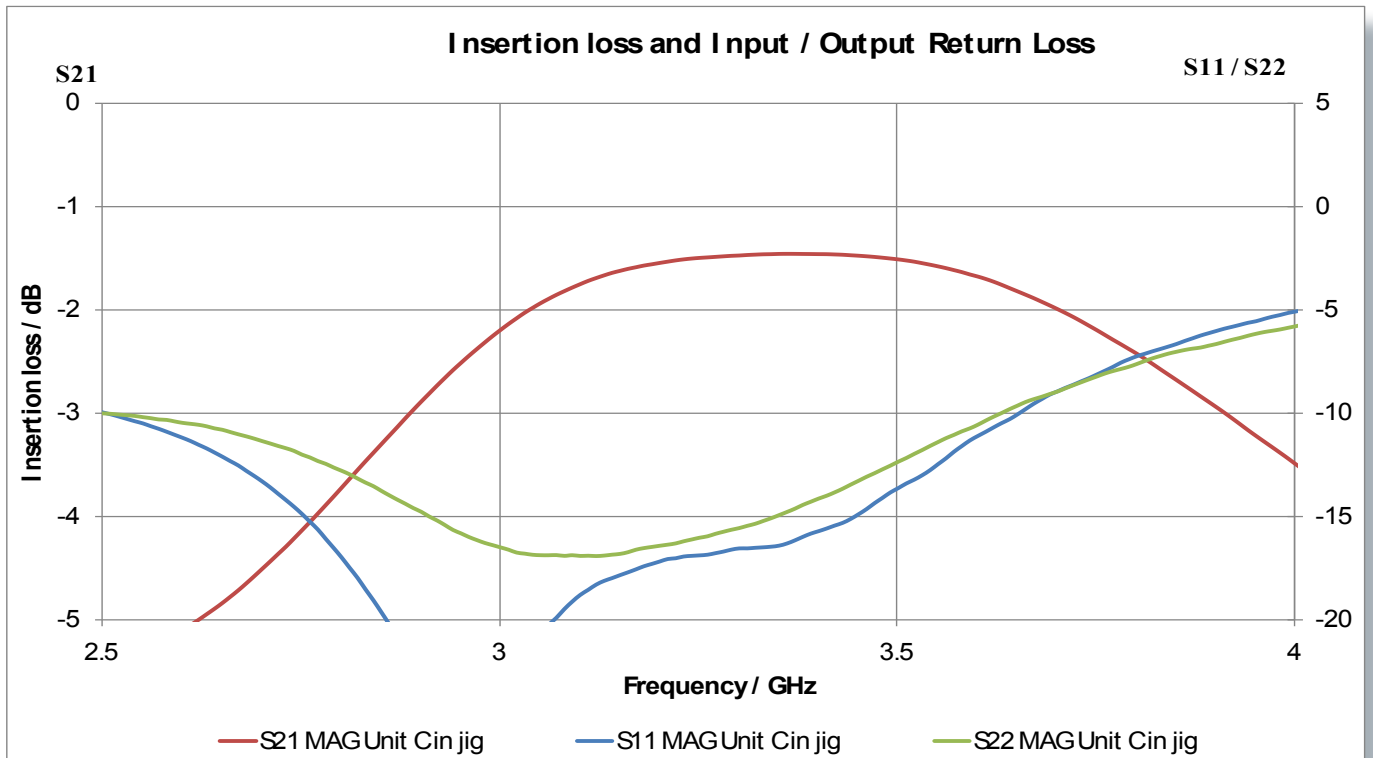
- High Reliability
- Passive Protection
- Low Flat leakage
- High power handling
- Low insertion loss
- European Manufacture

RF Performance information

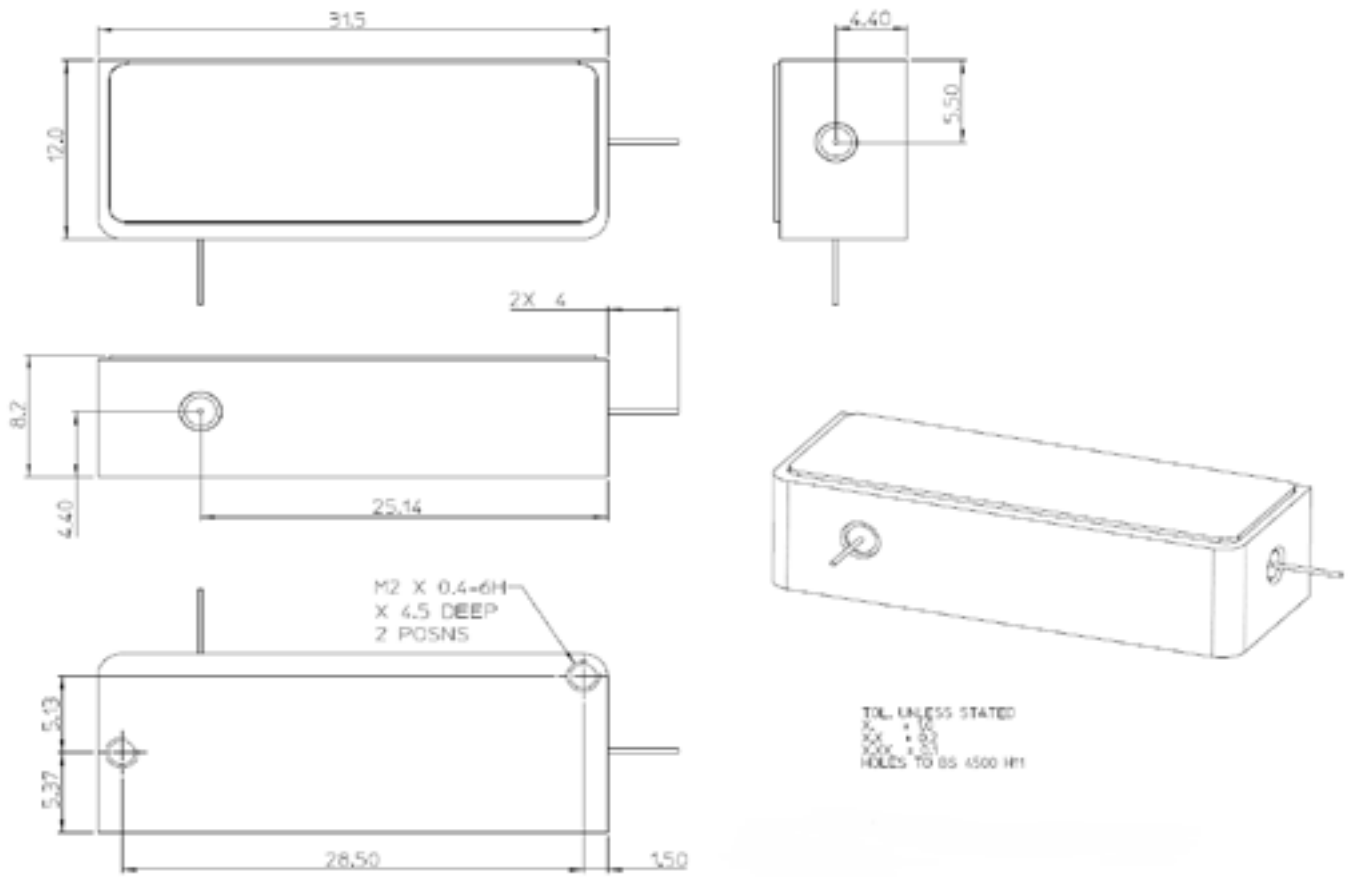
Parameter	Value			Units
	Min.	Typ.	Max.	
Frequency Band	3.1		3.5	GHz
Insertion Loss (at 25°C)	1.3		1.8	dB
Input Return Loss (all input power levels)	11			dB
Output Return Loss (insertion loss state only)	10			dB
Input Power	Mean power determined by the load inside the unit. Currently 20W max.		100	Watts
Pulse Width			100	µs
Duty			20	%
Flat Leakage		14	20	dBm
Spike Leakage (RF rise time >= 15ns)		25	30	dBm
Spike Leakage 3dB width	2		23	ns
Recovery Time (to within 3dB of Insertion Loss)		0.6	1.0	µs
Input connector	Feed through pin - solder mount			
Output connector				

Environmental	
Operating Temperature	-20°C to +65°C
Storage Temperature	-55°C to +90°C

Performance Data



Mechanical Outline



Whilst every effort is made to ensure the accuracy of the information contained in this brochure, no responsibility can be accepted for any errors and/or omissions.
Descriptions and specifications of products are subject to change without notice.